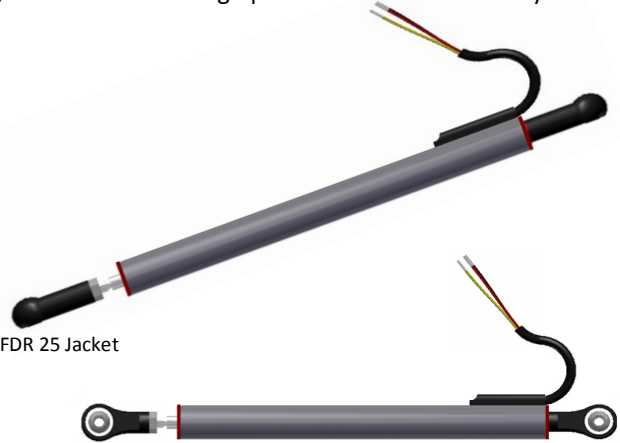


Linear Potentiometers MS 94 – Active Electrical Stroke of 175 mm

The MS-94 series of Linear Potentiometers are designed to withstand the harsh environment of Industrial and Motorsport applications. Using proven « conductive plastic » technology, the sensors offer high performance and reliability.

Specifications:

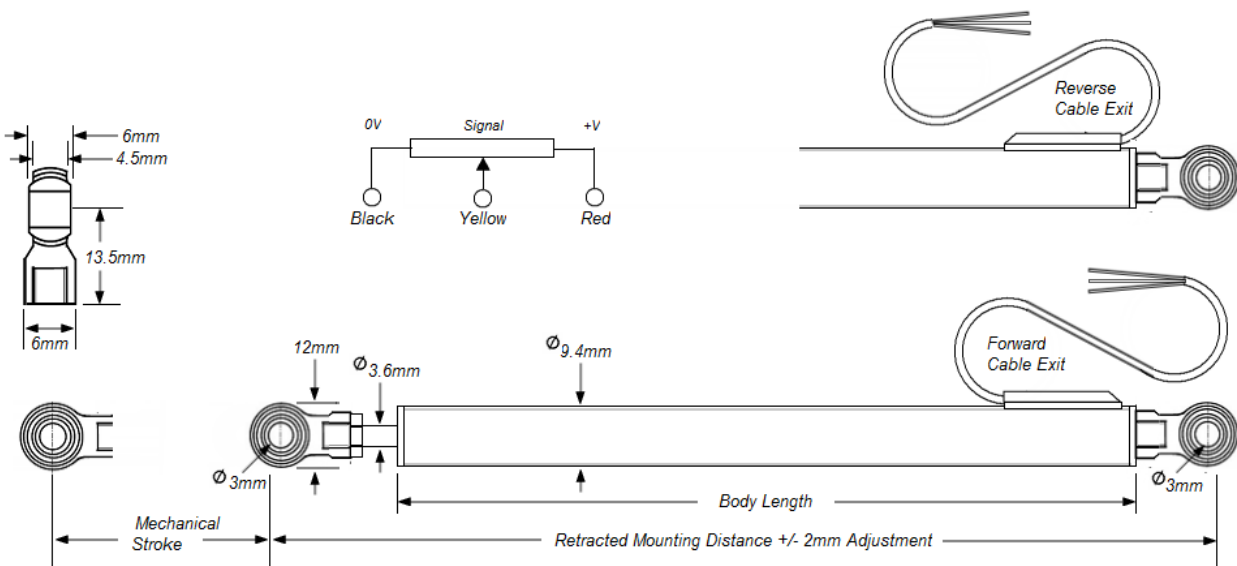
Maximum Supply Voltage	40 VDC
Resolution	Essentially Infinite
Material	Housing Material - Aluminium Shaft Material – Stainless Steel
Repeatability	≤ 0,01mm
Operational Speed	10 M/s max
Mechanical Life	> 25 Million Cycles
Recommended Wiper Current	< 10 µA
Independent Linearity	≤ +/- 0,5 %
Cable Type	3 Wire Raychem 55A, 26 AWG, FDR 25 Jacket
Cable Length	500 mm
Track Technology	Conductive Plastic
Operating Temperature	-40° to + 150° C
Sealing Option	IP54, IP65, IP67



MS 94-M Standard Type

Active Electrical Stroke (mm)	12.5	25	50	75	100	125	150	175
Retracted Mounting Distance (mm)*	86	98	123	148	179	204	229	254
Mechanical Stroke (mm)*	14.5	27	52	77	102	127	152	177
Body Length	53	66	91	116	147	172	197	222
Weight (g)	15	17	21	25	29	33	37	41
Resistance (KOHms +/-20%)	0.8	1.7	3.4	5	6.7	8.4	10	11.7

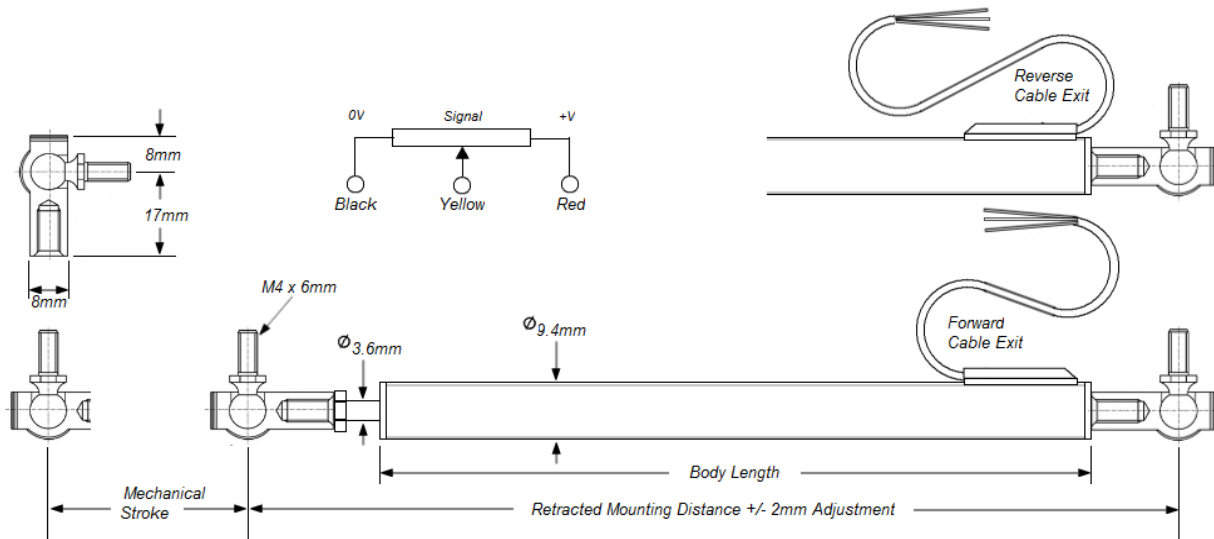
* : Custom options available on request



MS 94-P : Pop Joints

Active Electrical Stroke (mm)	12.5	25	50	75	100	125	150	175
Retracted Mounting Distance (mm)*	98	110	135	160	191	216	241	266
Mechanical Stroke (mm)*	14.5	27	52	77	102	127	152	177
Body Length	53	66	91	116	147	172	197	222
Weight (g)	19	21	25	29	33	37	41	45
Resistance (KOHms +/-20%)	0.8	1.7	3.4	5	6.7	8.4	10	11.7

* : Custom options available on request



Ordering reference:

Type	<input type="text"/>
MS 94-M = Standard	
MS 94-P = Pop Joints	
Measurement range	<input type="text"/>
0 to 175mm	
(Other ranges available on demand)	
Seal	<input type="text"/>
IP67	
IP65	
IP54	
Cable exit direction	<input type="text"/>
F = Forward	
R = Reverse	

Reference example: MS94-P-150-IP67-F

MS 94 with pop joints - 150mm Range – IP67 Seal – Forward Cable Exit



Tel : +33 (0)3 88 02 09 02 / Fax : +33 (0)3 88 02 09 03 / E-mail : info@ak-industries.com / Web : http://www.ak-industries.com