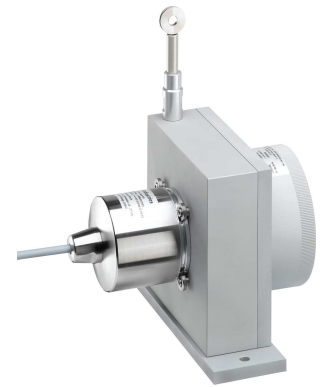


CD115 absolute output - Measurement range 0 up to 3500 mm

Specifications:

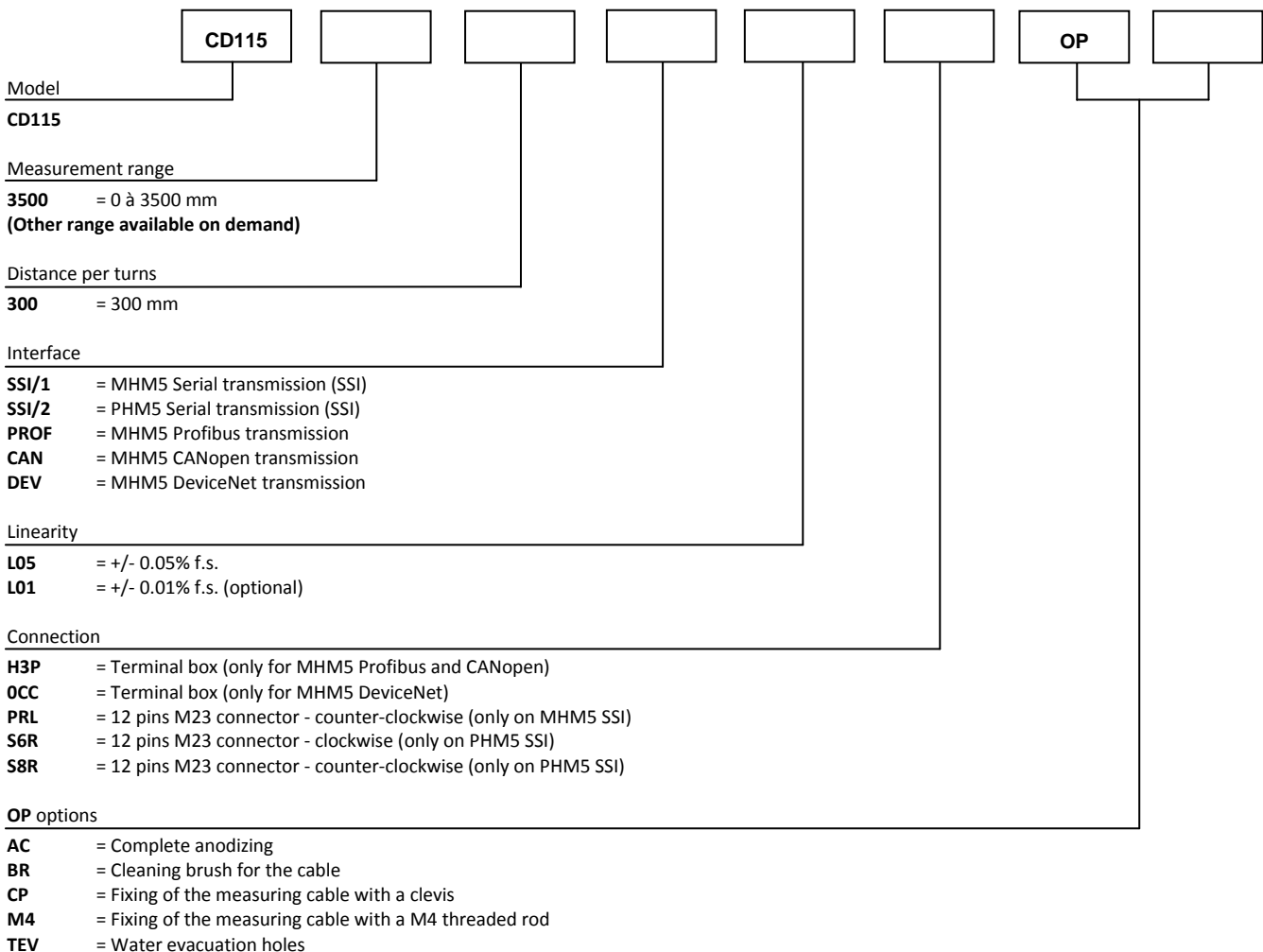
Measurement range	0 up to 3500 mm
Sensing device	Absolute encoder (PHM5 or MHM5 series)
Supply	10 - 30Vdc (MHM5) 5 - 30Vdc (PHM5)
Interface	SSI Profibus CANopen DeviceNet
Resolution	13 bits = 8192steps/turns
Distance per turns	300 mm
Material	Body and cover - aluminium (RohS) Measuring cable – Stainless steel
Cable diameter	0,60 mm
Connection	Male connector M23 – 12 pin CW Male connector M23 – 12 pin CCW Terminal box
Standard linearity	+/- 0,05% f.s. +/- 0,01% f.s. (optional)
Protection class	IP64
Max. Velocity	10 M/S
Max. Acceleration	7 M/S ² (before cable deformation)
Weight	≈ 2000 g
Operating temperature	-20° to +85°C
Storage temperature	-40° to +85°C



Cable forces:

Measurement range in mm	Min. pull-out force	Max. pull-out force
3500	≈ 13,00 N	≈ 18,00 N

Ordering reference:



Reference example: **CD115-3500-300-PROF-L05-H3P-OP-AC-M4**



Tel : +33 (0)3 88 02 09 02 / Fax : +33 (0)3 88 02 09 03 / E-mail : info@ak-industries.com / Web : <http://www.ak-industries.com>

Electrical characteristics:

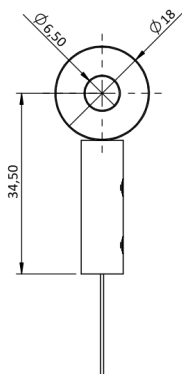
Please refer to the encoder data sheet.

Options :

Cable attachment with a lug :

Standard

The attachment lug is fixed with a M6 screw or a clevis.



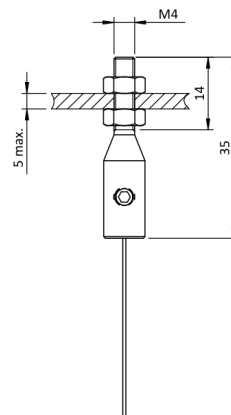
Cable attachment fitted with a M4 threaded rod:

OP-M4

The rod attachment uses a threaded rod with 2 nuts (provided). The required thickness of the plate does not exceed 5 mm.

Caution

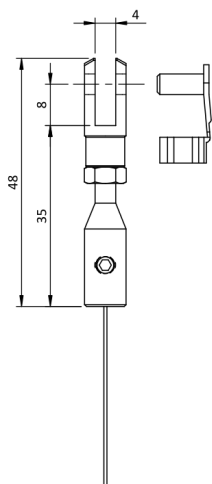
Never screw the threaded rod into a fixed nut, a twist of the measurement cable would damage it.



Cable attachment with a clevis :

OP-CP

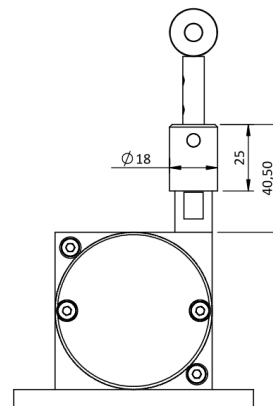
The attachment of the clevis is done using a pin (provided).



Cable cleaning brush:

OP-BR

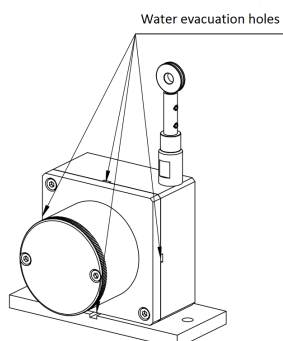
The cleaning brush wipes the cable in dusty or humid environments.



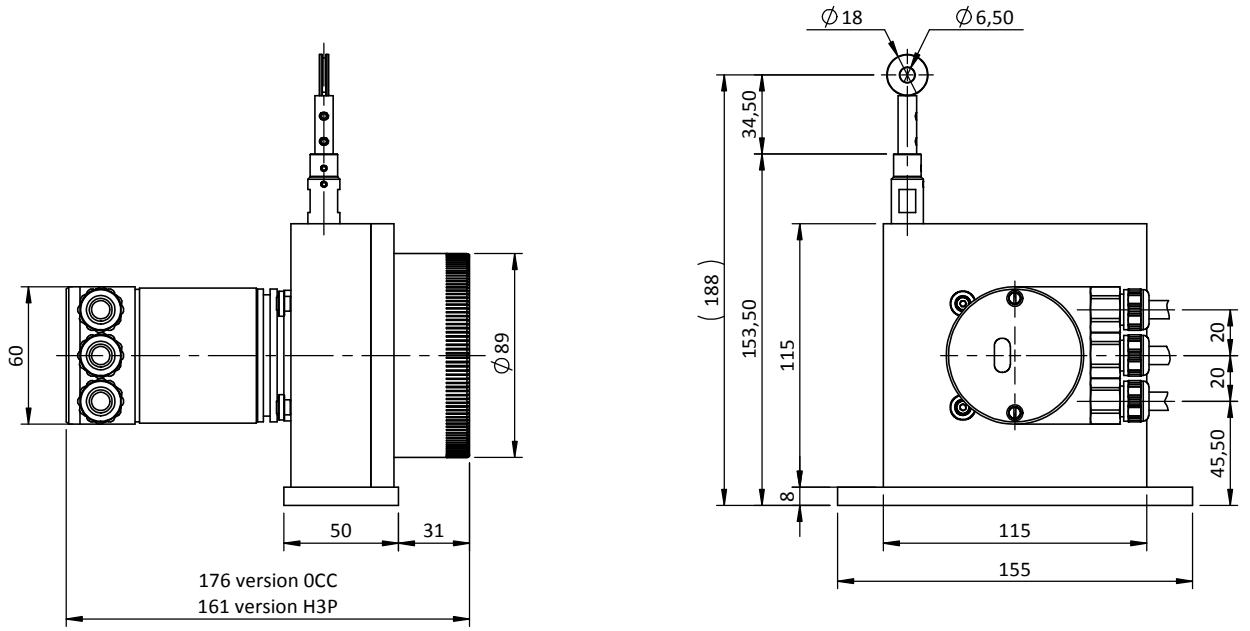
Water evacuation holes:

OP-TEV

The holes allow the natural flow of fluids out of the sensor in order to avoid their accumulation in the system.



Dimensional Drawing



With PHM5 - SSI encoder
S6R or S8R connection
(Male connector M23 - 12 pin CW or CCW)

With MHM5 - SSI encoder
PRL connection
(Male connector M23 - 12 pin CCW)

With MHM5 - PROF/CANO/DNET encoder
OCC or H3P connection
(Terminal box)

