

Especially designed for heavy-duty (steel, paper, wood – mills, cranes ...) Compact and robust conception. Excellent resistance to shocks/vibrations and to extreme axial/radial loads

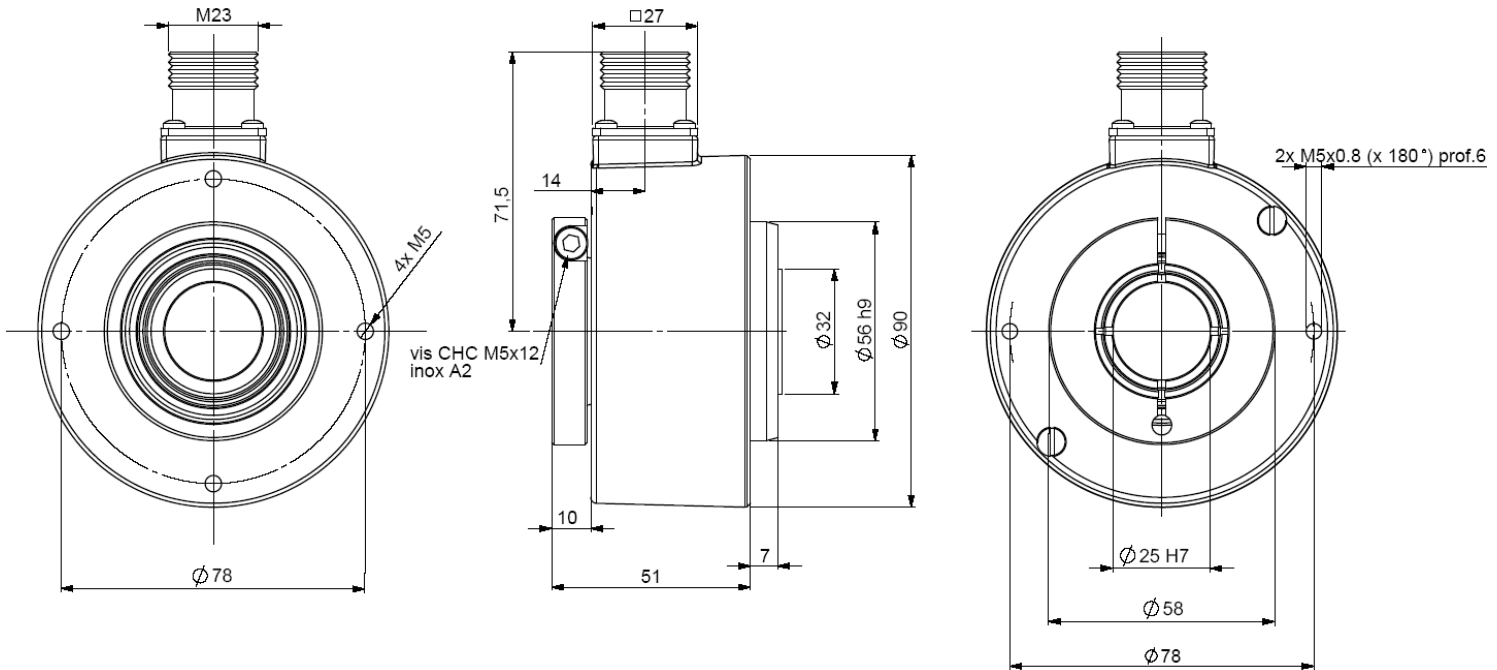
Hollow shaft of up to 30mm, adaptation of the bore size with composite hub for thermal and electric insulation (aluminium hubs in option)

Double/triple mounting in combinations of incremental, absolute, analogue signals

Also available in SSI serial interface and fieldbus interface: CanOpen, DeviceNet, Profibus



CHU9_25 connection CPR (radial M23), with reduction hub 9418/I25 (25mm) mounted on the shaft



CHARACTERISTICS

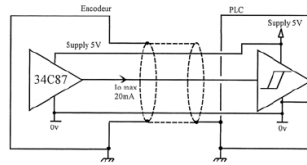
Material	Cover : zinc alloy	Vibrations (EN60068.2.6)	≤ 200m.s ⁻² (10 ... 1 000Hz)
Stainless steel option	Body : aluminium	EMC	EN 50081-1, EN 61000-6-2
Shaft	Inox	Isolation	1 000 Veff
Bearings	6807 serie	Encoder weight (approx.)	0,700kg zinc alloy cover, alu body
Maximum loads	Axial : 50 N		1,000kg zinc alloy cover, stainless steel body
	Radial : 80 N		1,200kg stainless steel cover and body
Shaft inertia	≤ 55.10 ⁻⁶ kg.m ²	Operating temperature	- 20 ... + 90 °C (encoder T°)
Torque	≤ 25.10 ⁻³ N.m	Storage temperature	- 30 ... + 95 °C
Permissible max. speed	6 000 min ⁻¹	Protection(EN 60529)	IP 65
Continuous max. speed	3 600 min ⁻¹	Torque (ring screw)	nominal: 3N.m, break: 4N.m
Shaft seal	Viton	Theoretical mechanical lifetime 10 ⁹ turns (F _{axial} / F _{radial})	
Shocks (EN60068.2.27)	≤ 500 m.s ⁻² (during 6 ms)	25 N / 40 N : 140	50 N / 80 N : 17



PARALLEL OUTPUTS CONNECTION

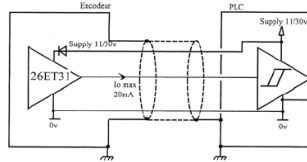
		13 bits + DIRECTION CP or C3	14 bits + DIRECTION C1	13 bits + DIRECTION + RAZ CZ
1	white WH	-	-	-
2	brown BN	+	+	+
3	green GN	D0	D0	D0
4	yellow YE	D1	D1	D1
5	grey GY	D2	D2	D2
6	pink PK	D3	D3	D3
7	blue BU	D4	D4	D4
8	red RD	D5	D5	D5
9	black BK	D6	D6	D6
10	violet VT	D7	D7	D7
11	white/brown WH/BN	D8	D8	D8
12	white/green WH/GN	D9	D9	D9
13	white/yellow WH/YE	D10	D10	D10
14	white/grey WH/GY	D11	D11	D11
15	white/pink WH/PK	D12	D12	D12
16	white/blue WH/BU	DIRECTION	D13	RAZ
17	white/red WH/RD	NC	DIRECTION	DIRECTION

OUTPUT STAGE / SUPPLY - PARALLEL OUTPUT



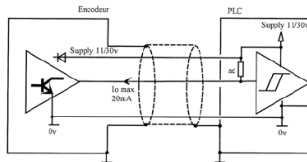
Electronic 2CD

Supply: 5Vdc ± 10%
 Cons. without load: 80mA max
 Current per channel : Is = 20mA max
 0 max (Is=20mA) : V_{oh} = 0,5Vdc
 1 min (Is=20mA) : V_{oh} = 2,5Vdc



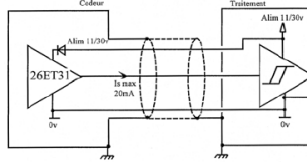
Electronic 5C5

Supply: 11 to 30Vdc
 Cons. without load: 100mA max
 Current per channel : Is = 20mA max
 0 max (Is=20mA) : V_{oh} = 0,5Vdc
 1 min (Is=20mA) : V_{oh} = V_{cc}-3Vdc



Electronic 5CN

Supply: 11 to 30Vdc
 Cons. without load: 100mA max
 Current per channel: Is = 20mA max
 0 max (Is=20mA) : V_{oh} = 1,25Vdc



g shaft:
 push button (option): give an impulse
 to the +Vcc during 1s minimum

DIRECTION

CW code: pin DIRECTION at +Vcc
 CCW code: pin DIRECTION at 0V

Protection against inversion of polarity for the electronics 5CN and 5C5
 Protection against short circuits for the electronic 5C5
 Example 10 bits encoder: only most significant bits (D3 to D12) would be available

ORDERING CODE (Special versions upon request, for ex. special flanges/electronics/connections...)

	∅ shaft	Parallel output : 2CD, 5C5, 5CN, 2ED, 5E5		Code	Resolution	Connection	Connection orientation
CHU9 Cover : zinc Body : alu CBU9 Cover : zinc Body : stainless steel CXU9 Stainless steel cover & body	30 :30mm Reduction hubs available	2: 5Vdc 5: 11 – 30Vdc	CD: driver 5Vdc C5: Push-Pull 11-30Vdc CN: NPNCO 11-30Vdc	B : binary G : Gray	14 13 ... 1	CP : M23 16 pins CW 13 bits + DIRECTION C1 : M23 17 pins CW 14bits + DIRECTION C3 : 16 wires cable	Connector : R : radial Ex cable : R020 : 2m radial cable
			With electrical RAZ: ED: driver 5Vdc E5: push-pull 11-30Vdc			CZ : M23 17 pins CW 13bits + DIRECTION + RAZ	
			Ex: CHU9 _ 30 // 5 C5 G // 13 // C3 R020				

14 bits: only available in GRAY code and electronics 5C5 and 2CD



Tel : +33 (0)3 88 02 09 02 / Fax : +33 (0)3 88 02 09 03 / E-mail : info@ak-industries.com / Web : http://www.ak-industries.com