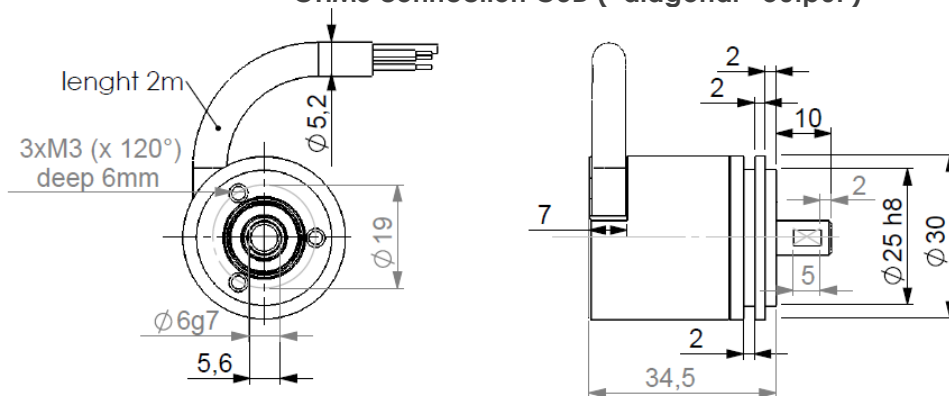


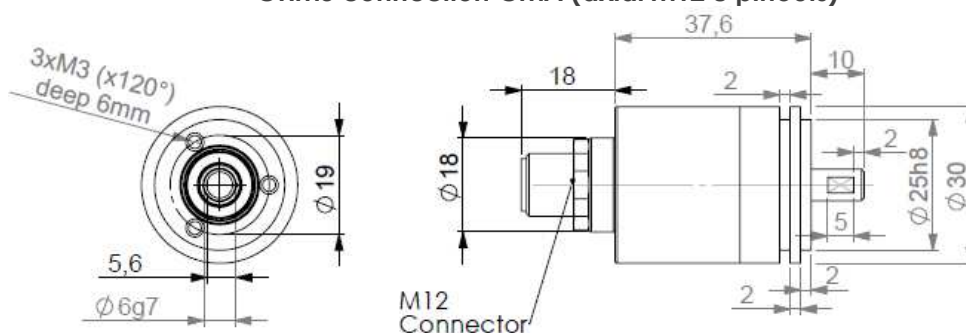
- With its 30mm size and a 6mm solid shaft, this encoder characterizes itself by its strong robustness of the mechanical and optical parts, it's the most compact really industrial encoder with a solid shaft
- High accuracy optical technology
- Available resolution up to 1024 pulses per revolution
- Universal electronics 5 to 30Vdc available
- Application fields: agriculture, construction, forestry vehicles...



GHM3 connection G3D ("diagonal" output')



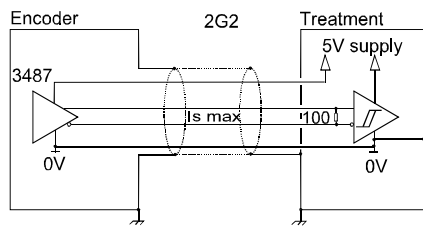
GHM3 connection GMA (axial M12 8 pinouts)



MECHANICAL CHARACTERISTICS

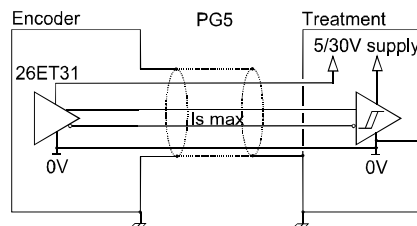
Material	Shaft: stainless steel	Isolation	1 000 Veff
	Cover: aluminium	EMC	EN 50082-2 (1995)
	Body: aluminium		EN 50081-1 (1992)
Maximal loads	Axial : 10 N	Operating temperature	- 20... + 80 °C (encoder T°)
	Radial : 20 N	Storage temperature	- 40... + 80 °C
Shaft inertia	$\leq 0,2 \cdot 10^{-6} \text{ kg} \cdot \text{m}^2$	Protection CEI60529 (1989)	IP 65
Torque	$\leq 4 \cdot 10^{-3} \text{ N} \cdot \text{m}$	Shocks (EN60068-2-27)	$\leq 300 \text{ m} \cdot \text{s}^{-2}$ (during 11 ms)
Permissible max. speed	6 000 min ⁻¹	Vibrations (EN60068-2-6)	$\leq 100 \text{ m} \cdot \text{s}^{-2}$ (10 ... 500 Hz)
Continuous max. speed	4 500 min ⁻¹	Theoretical mechanical lifetime 10 ⁹ turns (F _{axial} / F _{radial})	
Encoder weight (approx.)	0,150 kg	5 N / 10 N : 263	10 N / 20 N : 33

OUTPUT ELECTRONIC / POWER SUPPLY



2G2 electronic (100kHz)

Supply : 5Vdc ± 10%
 Cons. without load : 100mA max
 Current per channel : 40mA max
 0 max (I_s=20mA) : V_{ol} = 0,5Vdc
 1 min (I_s=20mA) : V_{oh} = 2,5Vdc



PG5 electronic(100kHz)

Supply : 5 to 30Vdc
 Cons. without load : 75mA max
 Current per channel : 40mA max
 0 max (I_s=20mA) : V_{ol} = 0,5Vdc
 1 min (I_s=20mA) : V_{oh} = V_{cc}-3Vdc

Protection against short circuits and inversion of polarity for the electronic PG5

STANDARD CONNECTION

		-	+	A	B	0	A/	B/	0/	Ground
G3	PVC cable, 8 wires	WH white	BN brown	GN green	YE yellow	GY grey	PK pink	BU blue	RD red	Main shield
GM	M12 connector 8 pinouts	1	2	3	4	5	6	7	8	Connector body

ORDERING REFERENCE (Contact the factory for special versions, ex: special flanges, electronics, connections...)

	Shaft Ø	Available electronics		Signals	Resolution	Connection	Connection orientation
GHM3	06 : 6mm	2G2, PG5		9 : A, A/, B, B/, 0, 0/	1024 max	GM : M12 8 pinouts	A : axial
		Supply	Output stage				
		2 : 5Vdc P : 5 to 30Vdc	G2 : 5Vdc TTL / RS422 G5 : push-Pull			G3 : PVC cable 8 wires	Example : D020 : diagonal 2m
Ex: GHM3_	06 //	P	G5	9 //	00250//	G3	D020

Available resolutions: 1000, 500, 360, 300, 256, 200, 125, 100, 60 (other available on request)

