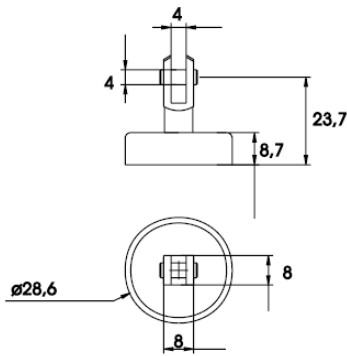
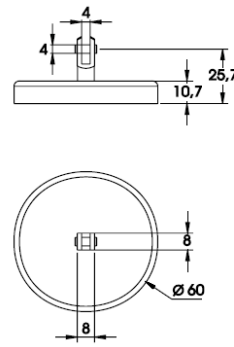


Mounting accessories

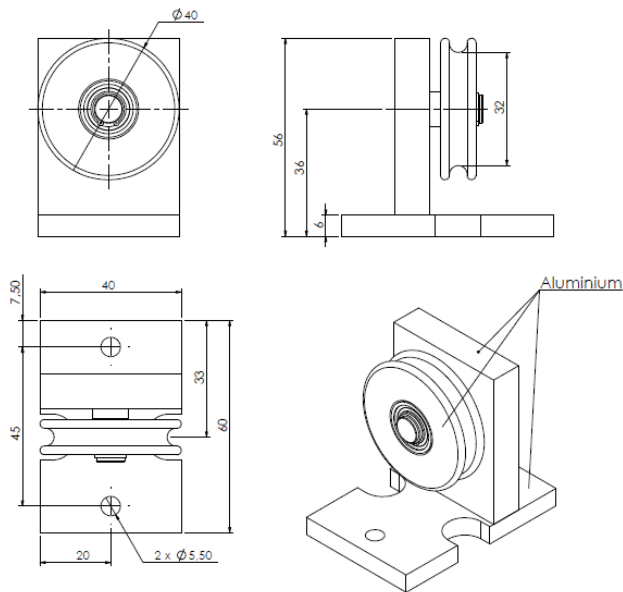
Magnet clamp FAIM-5 (for CD50)



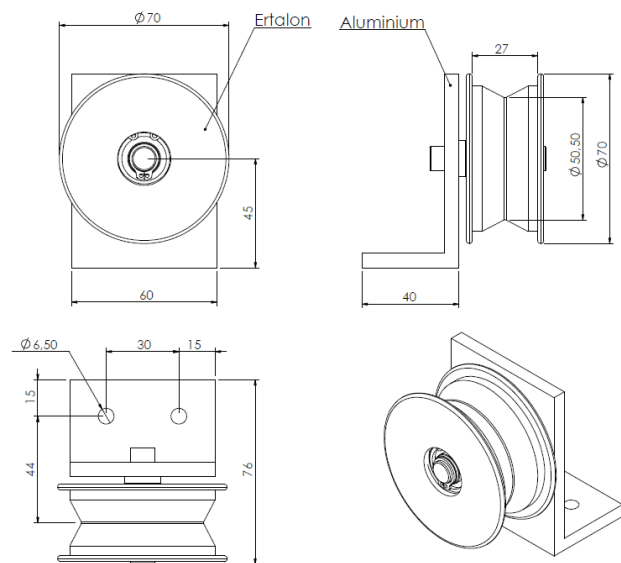
Magnet clamp FAIM-25 (for CD115 and CD150)



Pulley PR01 (for CD50)

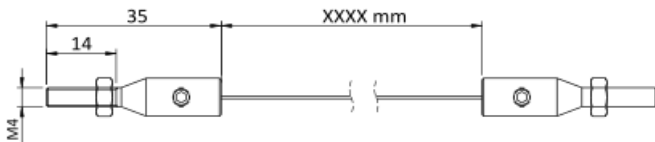


Pulley PR03

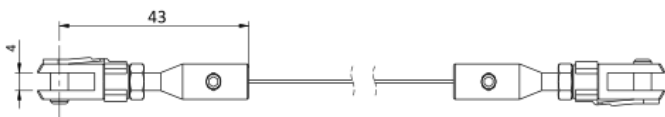


Cable extension

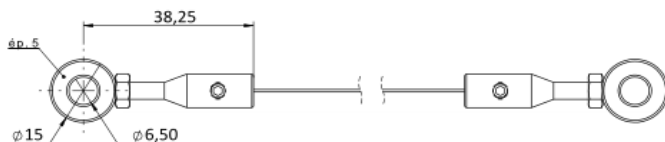
- M4 cable plugs on both ends. Ref. : RL-XXXX-M4/M4



- Attachment heads on both ends. Ref. : RL-XXXX-CP/CP



- Cable lugs on both ends. Ref. : RL-XXXX-CO/CO



Other possibilities:

- RL-XXXX-M4/CO (M4 screw at one end – lug on the other)
- RL-XXXX-M4/CP (M4 screw at one end – attachment head on the other)
- RL-XXXX-CO/CP (Lug at one end – attachment head on the other)

Possibility to integrate directly the cable extension into the sensor

Heating module for draw-wire sensors, series CDS

The heating module prevents the sensor to freeze under negative operating temperature.

Don't hesitate to contact us for any further information

