

CAMM58P – ABSOLUTE MULTITURN MAGNETIC ENCODER Ø58 – SOLID SHAFT

Technical characteristics

Power supply and output	Power supply : 8-30VDC - Output : SSI driver
Max. admissible rotational speed	20 000 rpm
Max. continuous rotational speed	15 000 rpm
Max. axial load	100N
Max. radial load	200N
Material	Body and cover: aluminum (RohS) Shaft: stainless steel
Protection	IP65 (IP67 optional)
Connection	M23 – 12 pins CW M23 – 12 pins CCW PVC cable 8 wires (standard length : 2m)
Weight	~ 300 g
Operating temperature	-20°C ... +85°C
Storage temperature	-40°C ... +85°C



Ordering reference

CAMM58_10 – C-SSI-G – 13/12 – AR1 – ACCW

Model CAMM58P				
Shaft diameter 06 = Ø6mm 10 = Ø10mm Other dimensions on demand				
Power supply C = 8 ... 30Vdc				
Output signals SSI = SSI Transmission BISS = BiSS Transmission				
Code format B = Binary G = Gray				
Monoturn resolution 3 = 3 bits (8 steps/turn) ... 18 = 18 bits (262144 steps/turn)				
Multiturn resolution 1 = 1 bit (1 turn) ... 22 = 22 bits (4194304 turns)				
Connections A = M23 – 12 pins CW B = M23 – 12 pins CCW G = PVC cable - 8 wires Other connections on demand				
Orientation A = Axial R = Radial				
Connection type 1 = Standard (please refer to the connection table page 2) Other connection types on demand				
Cable length for G connection /xx = example /03 for 3m long cable (standard 2m)				
Mechanical options A = None B = IP67 protection				
Code direction (only configurable in factory) CW = CW code, view on axis CCW = CCW code, view on axis				

The counting of revolutions and the determination of the position in the revolution are carried out by the "Nonius" method.

Data backup by lithium battery.

Duration of backup without encoder rotation: approximately 8 years.



Tel : +33 (0)3 88 02 09 02 / Fax : +33 (0)3 88 02 09 03 / E-mail : info@ak-industries.com / Web : http://www.ak-industries.com

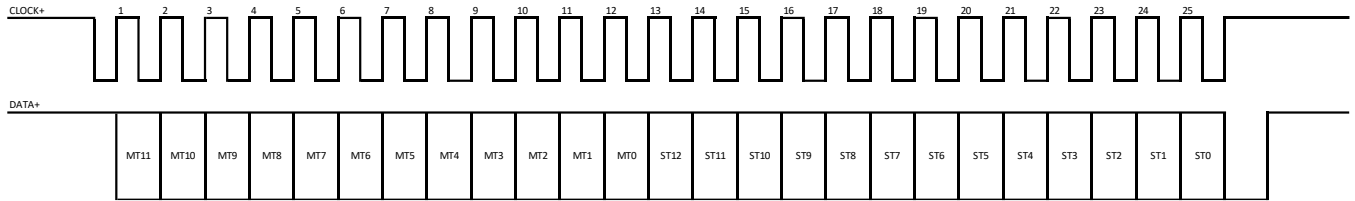
Electrical characteristics

Power supply : 8-30V

Consumption without load : : 200mA @ 8VDC
50 mA @ 24VDC

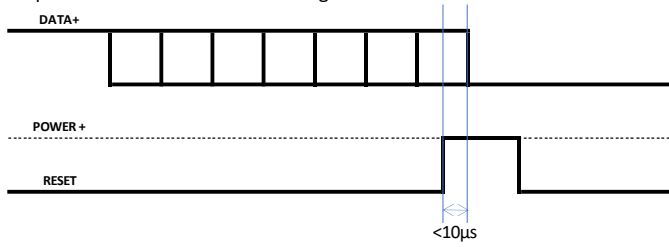
Overvoltage, reverse polarity and overcurrent protection

SSI transmission



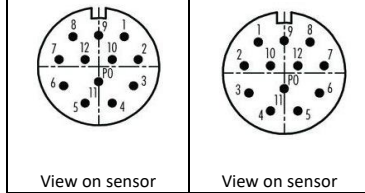
Code reset

For an optimal protection against interference, connect, after zeroing, the reset (RAZ) input with supply -. Stop encoder rotation before zeroing.

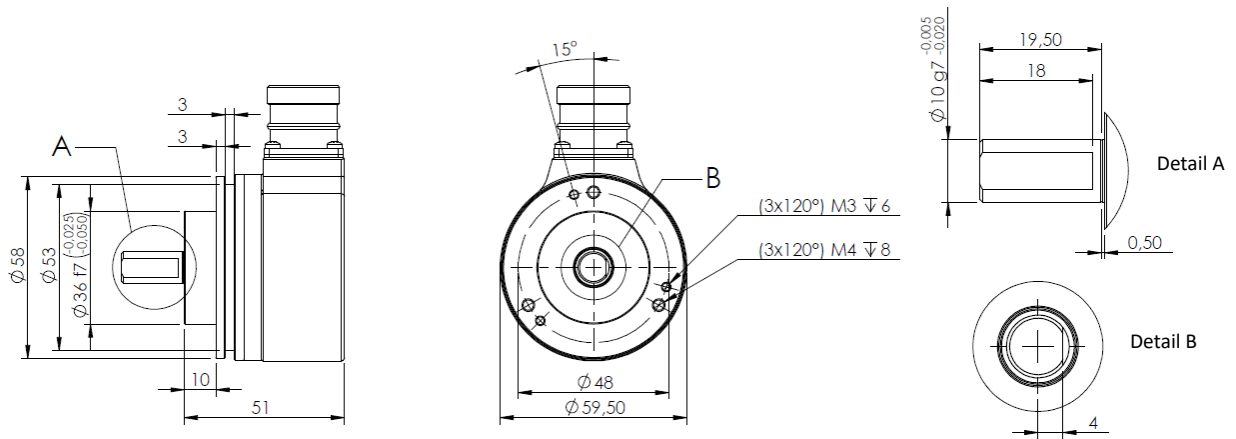


Standard connection (Type 1)

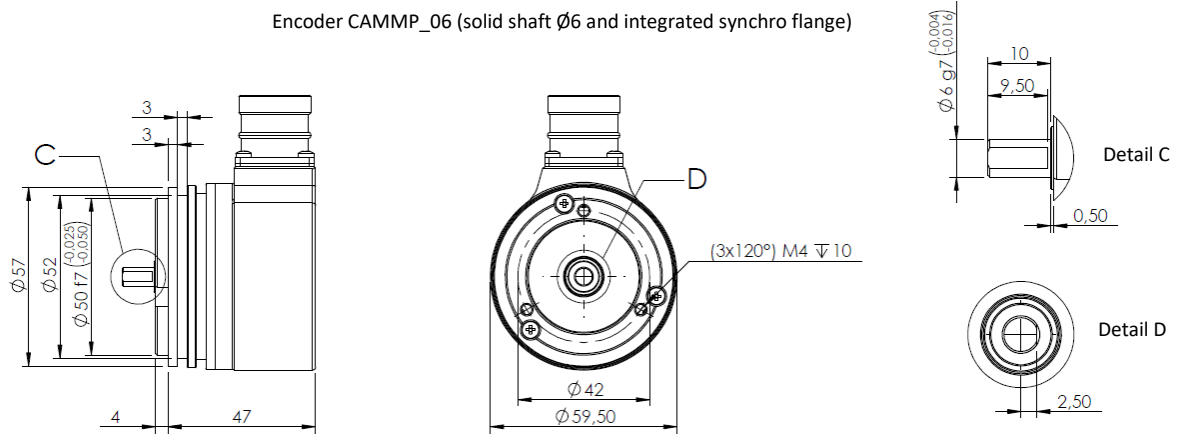
Standard connection	M23 12 pins (CW direction)	M23 12 pins (CCW direction)	Cable – 8 wires
Supply +	1	8	Brown
Supply -	2	1	White
CLK+	3	3	Green
DATA+	4	2	Yellow
RAZ	5	6	Grey
DATA-	6	10	Pink
CLK-	7	11	Blue
nc	8 – 9 – 10 – 11 – 12	4 – 5 – 7 – 9 – 12	/



Encoder CAMMP_10 (solid shaft Ø10)

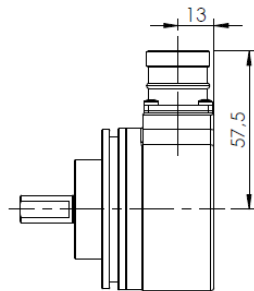


Encoder CAMMP_06 (solid shaft Ø6 and integrated synchro flange)



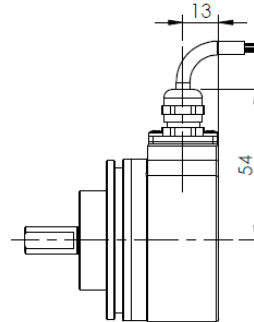
M23 – 12 pins

Radial output (AR)



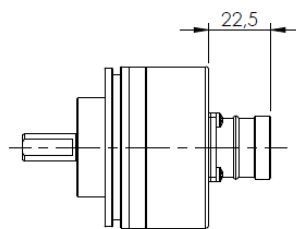
PVC cable

Standard length 2m
Radial output (GR)



M23 – 12 pins

Axial output (AA)



PVC cable

Standard length 2m
Axial output (GA)

